



# CP275 Pneumatic tire rollers



## TECHNICAL DATA

### MASSES

Mass with max. ballast	30.000 kg
Operating mass	14.000 kg

### COMPACTION

Rolling width	2.370 mm
Tyre overlap	52 mm
Wheel loads, without ballast	1.556 kg
Wheel loads, with max. ballast	3.333 kg
Tyre pressure, min	380 kPa
Tyre pressure, max	780 kPa
Tyre type (smooth)	13/80-20
Water spray system, type	Pressurized
Water spray system, tank capacity	600 l
Water spray system, spray nozzle	One per tyre
Ballast mass	16.000 kg

### TRACTION

Speed low	7 km/h
Speed high	18 km/h

### ENGINE

Manufacturer/Model	Cummins 4BTAA3.9 II/T2
Rated power, SAE J1995	93 kW (125 hp ) @ 2200 rpm
Type	Water cooled turbo Diesel
Fuel tank capacity	320 l
Electrical system	24 V

### HYDRAULIC SYSTEM

Driving	Axial piston pump with variable displacement.
	Axial piston motor with variable displacement
Steering	Gear pump with constant displacement
Service break	Drum brakes
Parking/Emergency break	Failsafe multidisc brakes in gear box

Find us locally at [www.hexindo-tbk.co.id](http://www.hexindo-tbk.co.id)

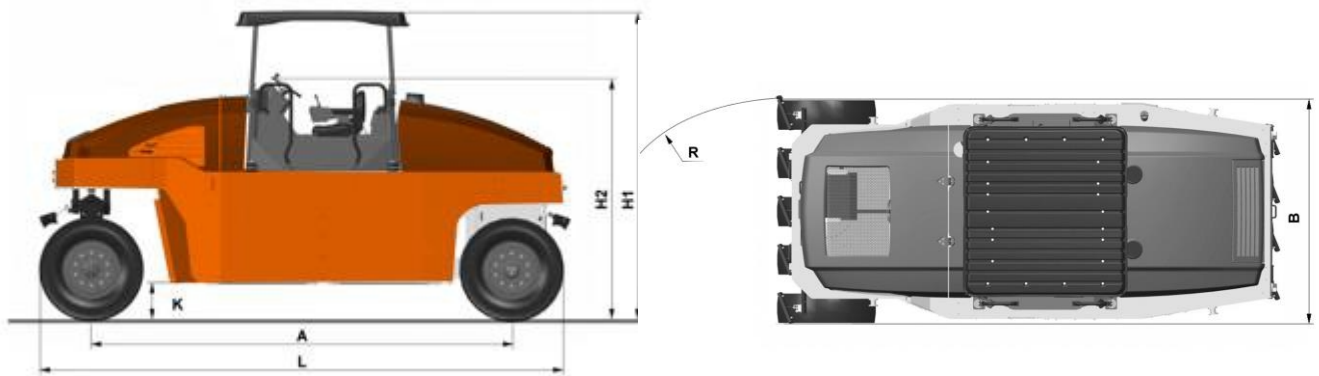
We reserve the right to change specifications without notice. Photos and illustrations do not always show standard versions of machines. The above information is a general description only, all information's are supplied without liability.

## SCAN ME





## CP275 Pneumatic tire rollers



### DIMENSIONS

#### DIMENSIONS

A. Wheelbase	4,250 mm
B. Width	2,370 mm
H1. Height, with canopy/cab	3,080 mm
H2. Height, w/o canopy/cab	2,430 mm
K. Ground clearance	350 mm
L. Length	5,310 mm
R. Turning radius, outside	9,000 mm

Find us locally at [www.hexindo-tbk.co.id](http://www.hexindo-tbk.co.id)

We reserve the right to change specifications without notice. Photos and illustrations do not always show standard versions of machines. The above information is a general description only, all information's are supplied without liability.

SCAN ME

